

SH 5010RC

MOTORIZED TV CEILING MOUNT

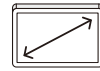
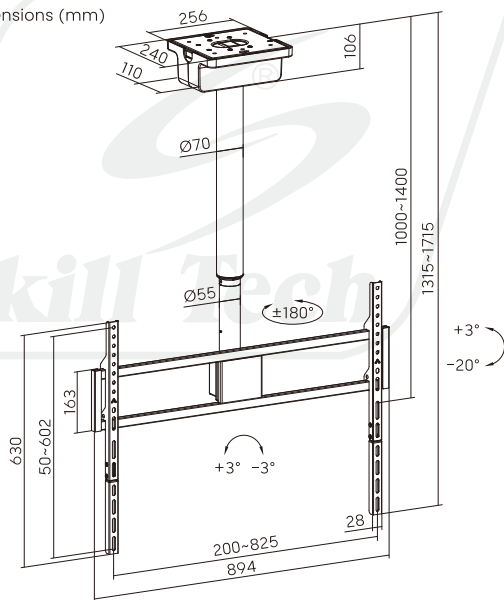
For most 50"-100" TVs



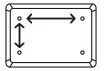
Smart Control for Effortless Big-Screen Viewing



Dimensions (mm)



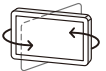
Screen Size
50"-100"



VESA Compatible
Max.800x600



Weight Capacity
65kg/143lbs



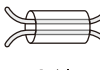
Swivel Range
 $+180^\circ$ - -180°



Tilt Range
 $+3^\circ$ - -20°



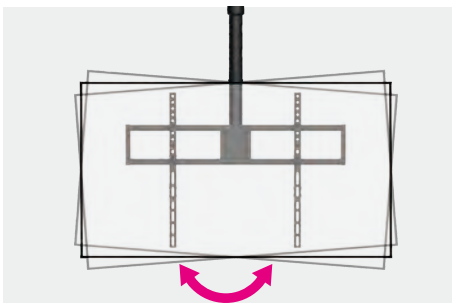
Screen Level
 $+3^\circ$ - -3°



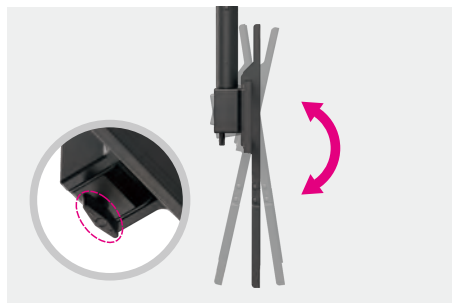
Cable Management



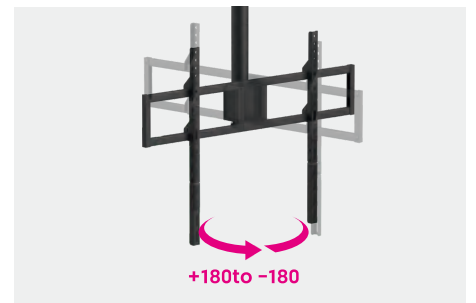
Curved TV



Leveling Adjustment
allows the TV to be perfectly positioned after hanging



Freely Tilting
for better viewing and reduced glare



Motorized Swivel
provides maximum flexibility for an ideal viewing angle